

USER MANUAL

SPARTAN SR5-CX Lumen

Dual Flash (Strobe + White LED flash) Digital Camera Trap



PLEASE READ CAREFULLY BEFORE USING YOUR CAMERA.

Product specifications and data are subject to change without notice to improve reliability, function or design.

Est. 2007



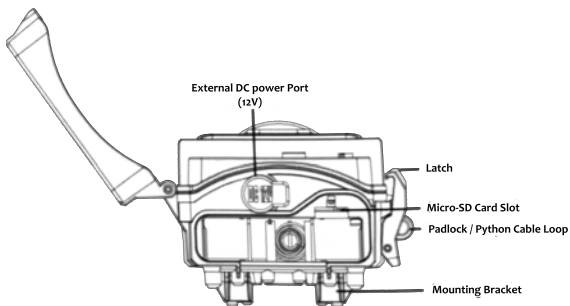
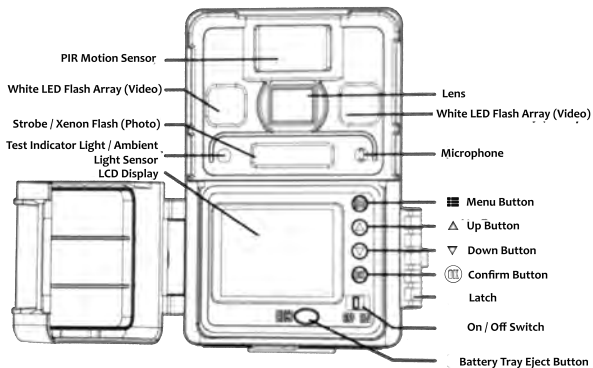
YOUR PATIENT WITNESS

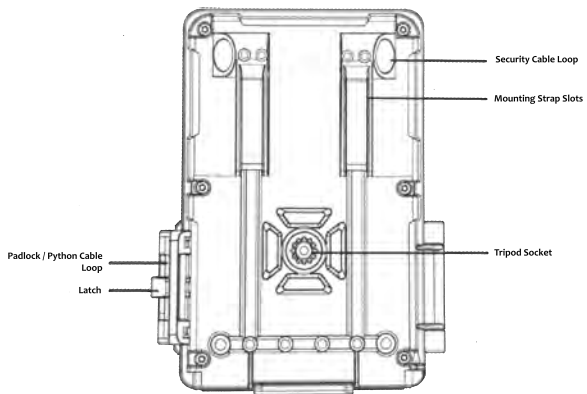
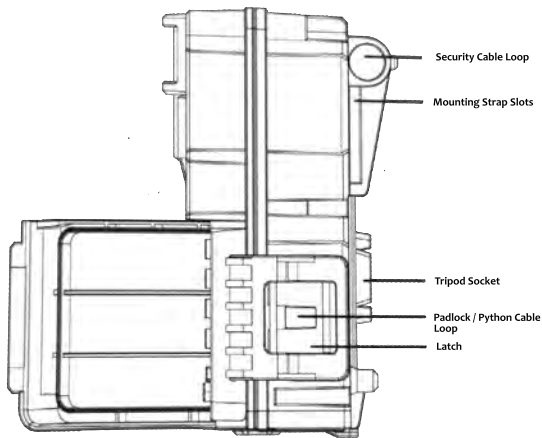
www.cameratraps.co.za

Package Contents

Camera Trap	1	Mounting Strap	1	User Manual	1
-------------	---	----------------	---	-------------	---

CAMERA DIAGRAM








THINGS YOU NEED

- Micro-SD card, up to 64 GB *((not included))*
- 6 x AA size batteries *((not included))*
 - Lithium *((recommended))*
 - Alkaline
 - Rechargeable Li-ion 1.5v5v)
- 12V external SLA / Lithium rechargeable battery and connection cable OR 12V solar panel (not included)

BBUTTONS

 : Menu: Enter the program menu in preview mode, exit from settings

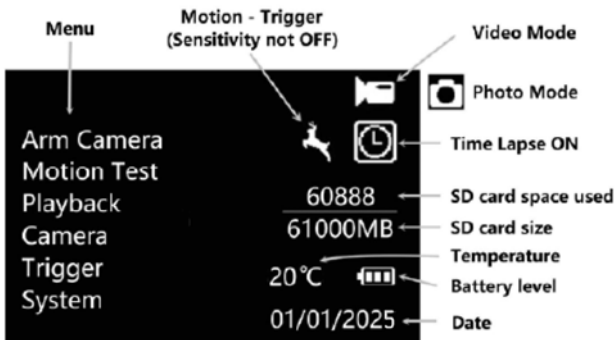
  : Up / Down: Move among the menu items

OK: Confirms a selection

On/Off switch

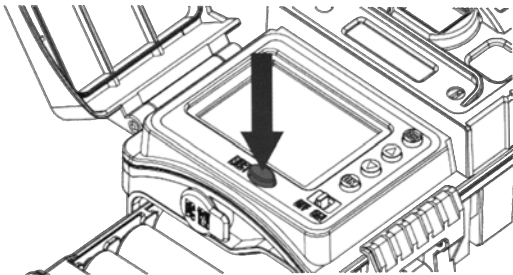
Battery tray eject button

DISPLAY



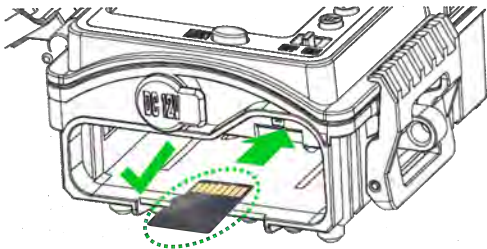
QUICK SETUP

1. Load batteries



- Press the Battery Tray Eject button to release the battery tray then pull it out so you can load the batteries.
- Insert each battery and make sure its polarity matches the indicators on the bottom of the battery tray.
- Insert the battery tray back into the camera.

2. Insert the micro-SD card - **PLEASE NOT THE ORIENTATION OF THE MICRO-SD CARD**



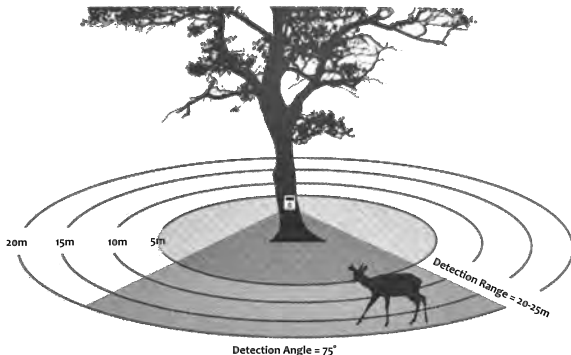
- Insert the microSD card in the slot on the bottom of the camera until it clicks into place (*the camera uses a micro-SD card to save your photos and videos*).

3. Set up the camera

- Slide the power switch to the **ON** position, set the date and time, then press the **Menu** button to exit.
- Set the **Camera**, **Trigger**, and **System** options as desired.
- Format the microSD card (**System** menu).

4. Mount, Test and ARM the camera

- Mount your camera**

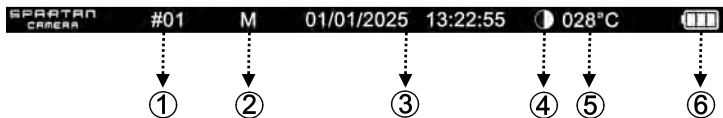


- Select **Motion Test**, press the **OK** button, adjust the camera position, then press the **Menu** button to exit.
- Select **Arm Camera** then press the **OK** button. If you do not arm the camera manually it will still arm itself after 4 minutes.

* Scan the QR code to see positioning suggestions



PHOTO INFO STRIP



- ① Camera Name Tag
- ② Photo Trigger Indicator, indicating what type of event caused the photo to be taken.
M = = Motion
E = = Scheduled event or manual photo
T = = Time-lapse

③ Date & Time

④ Moon phase

⑤ Temperature

⑥ Power Level



= Full



= Getting Low (prepare to change batteries)




= Low (change batteries)



= Dead

MENU SETTINGS

1. Switch the camera **ON**.
2. Navigate the main menu or setting choices using the ∇ Δ (up and down) buttons.
3. Press the **OK** button to select a setting or the  (Menu) button to exit and return to the previous level.

** Default Settings*

Menu Setting	Description	
Arm Camera	<i>Yes/No. Camera will automatically arm itself after 4 minutes if you do not arm it manually.</i>	
Motion Test	Used to view / test the correct mounting position of the camera through the built-in viewing screen. The green indicator light will bling when motion is detected. <i>This green indicator light does <u>not blink</u> when the camera is armed and triggered.</i>	
Playback	View photos and videos saved on the micro-SD card. <i>For more details on how to delete photos/videos, refer to the section Viewing and Deleting Photos / Videos on page 10.</i>	
Camera	Mode	*Photo or Video.
	Photo Size	*3M (original), 8M, or 24M
	Video Size	720P, *1080P
	Video Length	Video Length: 5, *10, 15, 30 sec, 1 min
	Sound Rec	*On, Off

* Default Settings


Menu Setting		Description
Trigger	Sensitivity	High, *Normal / Low / Off.
	Trigger Interval	The 'sleep' time after each trigger i.e. the time delay between when a motion triggered pic/clip is taken and the next pic/clip can be triggered. Options:: *0-55 sec in 5 sec intervals, 1-60 min in 1 min intervals
	Motion Plan	*All Day / Pan1 / Plan2. Choose the camera to operate 24/7 (All Day) or only at specific times of the day.
	<i>Plan1 / Plan2 - The camera can be set to only operate during one or two specific time periods during each day. To enable this function press the Up or Down arrow to display the 'Plan1' & Plan2' options. This menu contains the settings for times to automatically Start and Stop the camera. The 'Plan1' & Plan2' settings overrides all other general camera settings. Since there are two periods available, make sure that you do not program times that overlap.</i>	
	Time Lapse	*Off: 30, 35, 40, 45, 50, 55 secs. 1-59min in 5min intervals; 1, 2, 3, 4, 5, 6, 7, 8, 12, 24 hours The camera will take pictures / clips at the specified time interval setting. Note that in Time Lapse mode, the camera will <u>also</u> take motion-triggered photos unless Sensitivity is set to OFF .
	Work Day	*All Days / (selectable) Mon/Tues/Wed/Thurs/ Fri/Sat/Sun The camera can be active every day of the week - or you can select which days of the week you want the camera to be active.

* Default Settings



Menu Setting	Description	
System	Clock	Set the Hour, Minute, Month, Day, Year
	Time Stamp	*On, Off. Select ON to print an info strip at the bottom of each photo, OFF for no info strip.
	Password	Set a 4-digit password using this option. (Note: keep a record of this password. If you forget it, you will have to return the camera to Camera Traps cc with proof of ownership to have the password removed.)
	Format	Format the micro-SD card. This will erase all data on the micro-SD card and cannot be undone. You should format the card in the camera each time you put it into the camera.
	Beep	Toggle the keypress beep sound on/off.
	Overwrite	Toggle overwrite On/Off. If ON, once the micro-SD card is full, the camera will overwrite the oldest image / video with the newest image / video.
	Export Setting	Saves this camera's settings to the microSD card so the settings can be transferred to another camera. (For more information on using this feature, see <i>Export Settings</i> on the next page.)
	FW Update	Update the firmware using a file downloaded from the web site and copied to the microSD card.
	Default	Restore all settings to factory default values.
	Name Tag	Set an 8-digit camera ID using this option.
	Temperature Scale	Choose either Fahrenheit (°F) or Celsius (°C)
	Information	Display the version of firmware on the camera.

VIEWING AND DELETING PHOTOS AND VIDEOS

Viewing Photos



1. Highlight **Playback** then press the **OK** button.
2. Press the $\nabla\Delta$ (up and down) buttons to navigate through the pictures / videos.
3. To return to the Home screen without deleting any photos / videos, press the  (**Menu**) button twice.

Deleting Photos



1. To delete one or all pictures / videos, while viewing a photo press the  (**Menu**) button.
2. Choose either **Delete One** or **Delete ALL**.
3. Press the **OK** button.
4. Press the  (**Menu**) button to return to the next photo / clip (if you deleted one) or the Home screen (if you deleted all).

*Note: You can also delete everything on the micro-SD card by formatting it (under **System** menu).*

Viewing Videos

1. Highlight **Playback** then press the **OK** button.
2. Press the $\nabla\Delta$ (up and down) buttons to navigate through the videos.
3. Press the **OK** button to play/pause the video or press the  (**Menu**) button to return to the preview screen.
4. To return to the Home screen without deleting any photos, press the  (**Menu**) button twice.

Deleting Videos

1. To delete one or all videos, while looking at the first frame of a video on the preview screen, press the  (**Menu**) button.
2. Choose either **Delete One** or **Delete ALL**.
3. Press the **OK** button.
4. Press the  (**Menu**) button to return to the next video (if you deleted one) or the Home screen (if you deleted all).

*Note: You can also delete everything on the micro-SD card by formatting it (under **System** menu).*

EXPORT SETTINGS

Exporting the settings

1. In the System menu, highlight **Export Settings** then press the **OK** button to save a file called 'settings.ini' to the micro-SD card.

Using the exported settings in a new camera

1. Once you have saved / copied the 'settings.ini' file from one camera onto a micro-SD card, insert this micro-SD card into the new camera.
2. Turn the switch to **ON** and the camera will ask you Update Setting, Yes or No.
3. Choose Yes to copy the settings to this camera or No to set up the camera manually.

TECHNICAL SPECIFICATIONS

FOV (Field of View)	75° wide angle
Flash Type	Strobe / Xenon (<i>used for photos</i>) / White LED (<i>used for video clips</i>)
Display	2" IPS colour LCD, 480x240mm)- Front-facing display
Memory Card	Micro-SD, up to 64Gb
Night-time Image Flashh	Strobe / Xenon flash, full colour (<i>with auto-adjustable flash power feature</i>)*
Night-time Video Flash	White LED flash, full colour (<i>with auto-adjustable flash power feature</i>)*
Image Resolution	3MP / 8MP / 24MP
Video Resolution	1080p (1920x1080) @30fps / 720p (1280 x 720) @30fps
Video Length	5s / 10s / 15s / 30s / 60s
Audio Support	Yes
Trigger Type	Motion (PIR) / Timer (Time Lapse) / Work Day
PIR Type	Multi-zone
PIR Sensitivity	Adjustable (High / Normal / Low / Off)
Trigger Speed	0.3s
Trigger Intervals	0 sec - 60 min
Time-lapse Intervals	30 sec - 24 hr
Recovery Time	0.5s** - <i>Unlimited Multi-shot / Burst Mode (see below)</i>
Battery	6 x AA (lithium, alkaline, or rechargeable Li-ion 1.5v)
External Power Input	12v DC (rechargeable SLA / Lithium battery or 12v solar panel)
Mounting	Tripod socket / Mounting strap / Security cable lock
Padlock lockable	Yes
Operation Temp	-20 to +60 (°C)
Operation Humidity	5% - 90%
Weight	320g w/o batteries
Dimensions (cm)	12.16 (H) x 7.62 (W) x 6.83 (D)
IP Rating	IP65

* The auto-adjustable flash power feature minimizes over exposed images and video clips by automatically detecting the distance the target is from the camera during each trigger and adjusting the flash power / strength accordingly.

** The very fast recovery time allows for unlimited multi-shot / burst mode using the Strobe / Xenon flash - as long as the target is triggering the camera's PIR. This ground-breaking feature now offers unlimited, Strobe / Xenon flash quality images (no motion blur) in quick succession. Preliminary testing has produced 6 x Burst-mode Strobe / Xenon flash quality images in 10 seconds.

FCC COMPLIANCE STATEMENTS

This device complies with Part 15 of the FCC Rules. Operation is subject to the following two conditions:

1. The device may not cause harmful interference
2. The device must accept any interference received, including interference that may cause undesired operation.

Note: This equipment has been tested and found to comply with the limits for a Class B digital device, pursuant to Part 15 of the FCC Rules. These limits are designed to provide reasonable protection against harmful interference in a residential installation. This equipment generates, uses, and can radiate radio frequency energy, and if not installed and used in accordance with the instruction, may cause harmful interference to radio communications. However, there is no guarantee that interference will not occur in a particular installation. If this equipment does cause harmful interference to radio or television reception, which can be determined by turning the equipment off and on, the user is encouraged to try to correct the interference by one or more of the following measures:

- Reorient or relocate the receiving antenna
- Increase the separation between the equipment and the receiver
- Connect the equipment into an outlet on a circuit different from that to which the receiver is connected
- Consult the dealer or an experienced radio/TV technician for help.

Warning: Changes or modifications not expressly approved by the party responsible for compliance could void the user's authority to operate the equipment.

POLICIES

The latest terms and privacy policy are available at spartancamera.com

- **Terms and Conditions:**
spartancamera.com/pages/terms-and-conditions
- **Privacy Policy:**
spartancamera.com/pages/privacy-policy

WARRANTY

- Spartan cameras come with a 1 year manufacturer limited warranty plus an additional 1 year extended warranty upon registration.
- You can register your camera by submitting the online registration form at;
my.spartancamera.com/product-registration
- For more warranty information, visit:
spartancamera.com/pages/warranty



**SPARTAN
CAMERA**

CUSTOMER SERVICE CONTACT:
E-mail: support@spartancamera.com
Website: www.spartancamera.com
Phone: 1-770-582-0004
9 AM-6 PM Eastern M-F

Est. 2007



YOUR PATIENT WITNESS
www.cameratraps.co.za

CAMERA TRAPS cc
E-mail: info@cameratraps.co.za
Website: www.cameratraps.co.za