

INFORMATION

BG962-X30W



BG962-X30W is a wide angle (110 degree field of view) camera trap which is equipped with the Scout Guard / Boly self-developed BL-002 lens.

With its 30MP image resolution and 1080p video high definition, this camera presents vivid scenes of whatever it captures. This camera integrates 40 x 940nm LEDs and a xenon flash. The xenon flash is used as a supplement light at night to greatly reduce 'motion blur'.

Black flash invisible IR that cannot be seen by animals at night and so cannot disturb them. 8 or 4 units of AA batteries are used in these cameras.

It can also be used to take **colour night time images** by simply removing the detachable xenon flash cover screen.



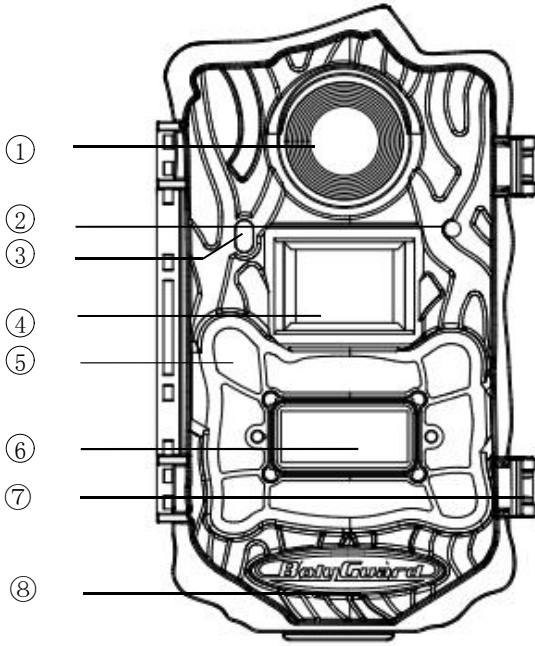


Fig. 1: Front view of BG960-K18W

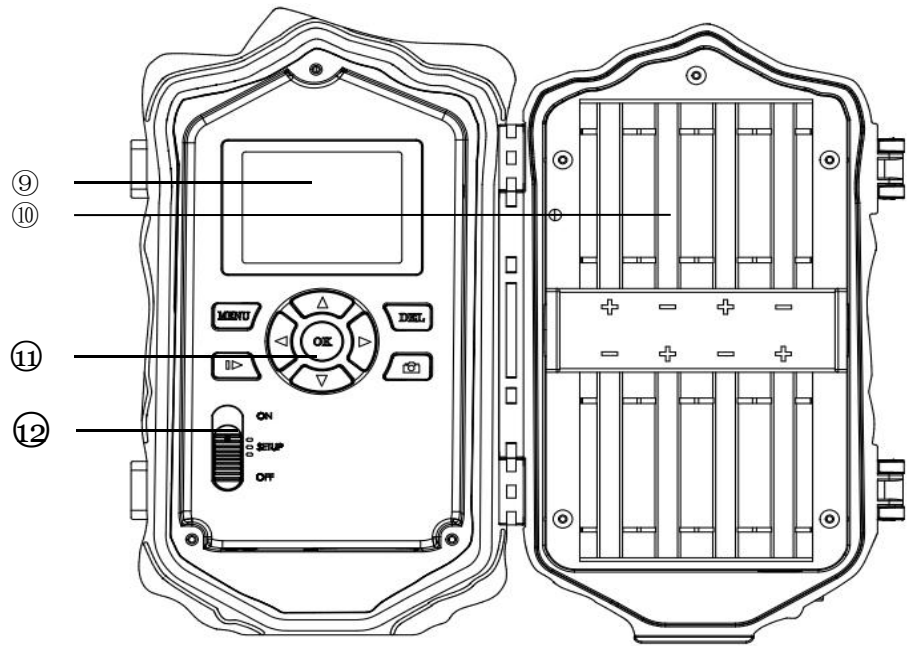


Fig. 2: Inner panel view

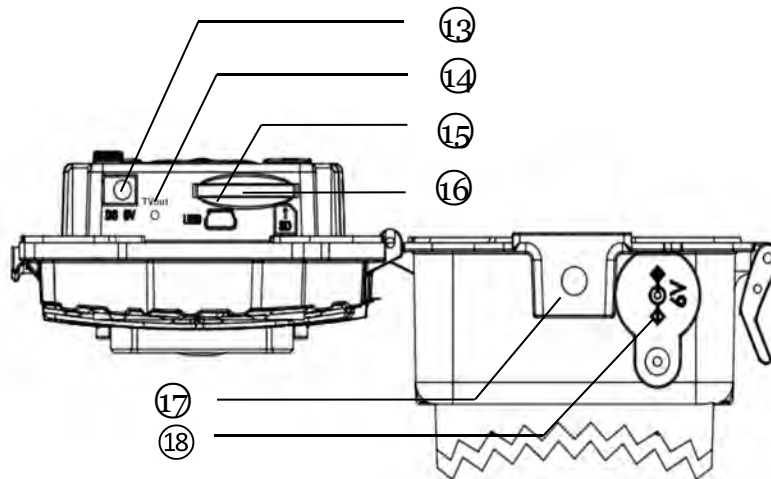


Fig. 3: Bottom view

① Lens	② Mic	③ Indication LED
④ PIR	⑤ 940nm LED Flash	⑥ Xenon Flash with 940nm removeable cover
⑦ Lock	⑧ Speaker	⑨ LCD display
⑩ Battery bays	⑪ Operation Panel	⑫ Power Switch
⑬ DC 6V	⑭ TV out	⑮ USB port
⑯ SD card slot	⑰ Bottom Screw	⑱ DC hole and Stopper

Features:

- Camera Mode: YES
- Video Mode: YES
- Pic+Video Mode: YES
- Colour Night Pic Mode: YES
- Time Lapse Mode: YES
- Sound Recording: YES
 - Work Hour Mode - choose which times of the day you want the camera to be operational
 - Color photos and videos during the day and black-and-white photos and videos at night - or
 - Color photos and videos during the day and Color photos at night

- Trigger Time: 0.7 sec.
- Image Resolution: 30MP / 20MP / 14MP
- Video Resolution: 1080FHD (1920×1080) / 720P HD (1280×720) / VGA (640×480)
- Photo Burst: 1-5 Photos
- Lens: F/NO=2.4; FOV (Field of View)=110°
- PIR Detection: 100ft
- Display Screen: Built-in 2.0" colour LCD
- Memory Card: Supports from 8 MB to 32 GB
- Video Length: 5–180 sec.
- PIR Sensitivity: Adjustable (High / Normal / Low)
- Operation Temp: -20 - +60°C
- Weight: 0.35 kg
- Power Supply: 8*AA or 4*AA batteries - or external DC 6V, 2A
- Stand-by Current: < 300uA
- Mounting: Belt
- Dimensions: 160x90x75 mm
- Operation Humidity: 5%-90%
- Security Authentication: FCC, CE, RoHS



Est. 2007



YOUR PATIENT WITNESS

CAMERA TRAPS cc

+27(0)83 560 0555 | +27(0)82 422 0356

info@cameratrap.co.za

www.cameratrap.co.za

SOUTH AFRICA